



**Features:**

- Casing : ABS plastic
- Din Rail Mounting
- Use with Different Bus Bar
- Class 0.5 accuracy

Certifications: **CE**

**Specifications**

**Input / Output Specifications**

Rated primary rating	30A to 4000A
Rated secondary output	5A

**Technical Specifications**

Rated burden	1.5V to 15VA
Class of accuracy	0.5
Thermal short circuit current (Ith)	Ith=60 X Ih
Dynamic short circuit current (Idyn)	2.5xIth
Instrument security factor	FS<5
Insulation class	E (120°C max)
System voltage	720V maximum
Test voltage	3kV AC 1 min
Operating frequency	AC 50Hz -60Hz

**Environmental Specifications**

Ambient temperature	20°C...+75°C
Humidity	< 95% RH (non condensing)
Storage temperature	-5°C...+45°C

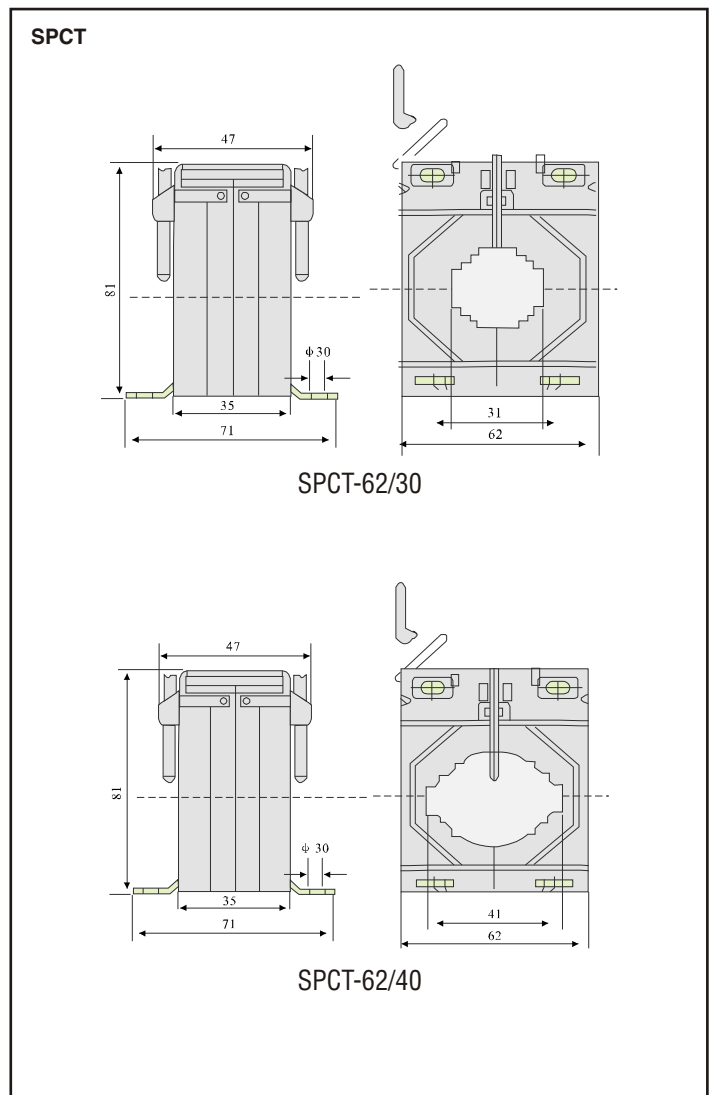
**Compliance**

Case	Made from ABS Plastic
Mounting modes	DIN rail
Connection	Two connection on each side. M4 screws with self lifting clamp strap for all type

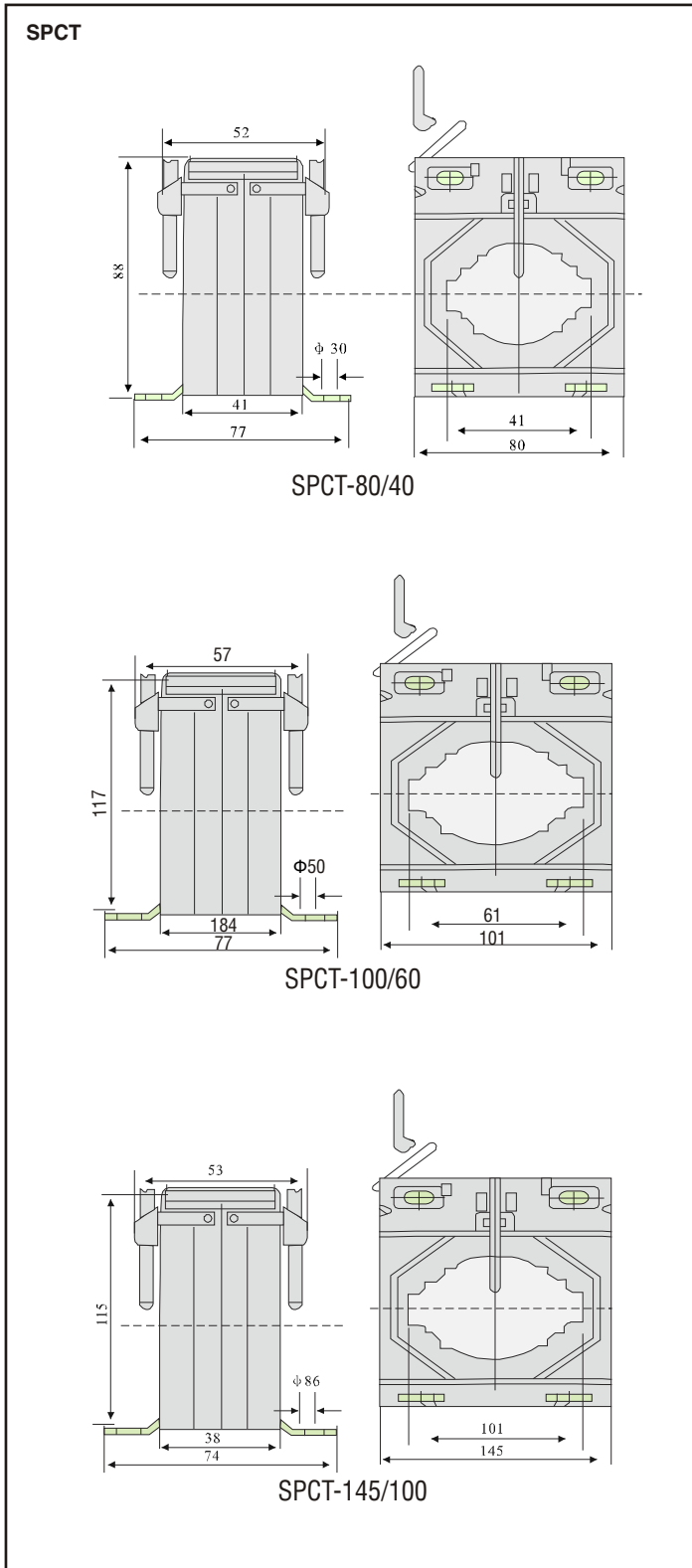
**Standard**

Applicable standard	IEC/EN 60044 -1, BS 3938
---------------------	--------------------------

**Dimension**



## Dimension



## Ordering Information

Part No.	Current Ratio	Burden In VA	Accuracy Class
SPCT-62/30-30/5-1.5(4T)-0.5	30/5	1.5(4T)	0.5
SPCT-62/30-40/5-1.5(3T)-0.5	40/5	1.5(3T)	0.5
SPCT-62/30-50/5-1.5(2T)-0.5	50/5	1.5(2T)	0.5
SPCT-62/30-60/5-1.5(2T)-0.5	60/5	1.5(2T)	0.5
SPCT-62/30-75/5-1(1T)-0.5	75/5	1(1T)	0.5

SPCT-62/40-100/5-1.5(1T)-0.5	100/5	1.5(1T)	0.5
SPCT-62/40-150/5-1.5-0.5	150/5	1.5	0.5
SPCT-62/40-200/5-2.5-0.5	200/5	2.5	0.5
SPCT-62/40-250/5-2.5-0.5	250/5	2.5	0.5
SPCT-62/40-300/5-3-0.5	300/5	3	0.5

SPCT-80/40-400/5-5-0.5	400/5	5	0.5
SPCT-80/40-500/5-5-0.5	500/5	5	0.5
SPCT-80/40-600/5-5-0.5	600/5	5	0.5

SPCT-100/60-800/5-10-0.5	800/5	10	0.5
SPCT-100/60-1000/5-10-0.5	1000/5	10	0.5
SPCT-100/60-1200/5-15-0.5	1200/5	15	0.5

SPCT-145/100-1500/5-15-0.5	1500/5	15	0.5
SPCT-145/100-2000/5-15-0.5	2000/5	15	0.5
SPCT-145/100-2500/5-15-0.5	2500/5	15	0.5
SPCT-145/100-3000/5-15-0.5	3000/5	15	0.5
SPCT-145/100-3500/5-15-0.5	3500/5	15	0.5
SPCT-145/100-4000/5-15-0.5	4000/5	15	0.5